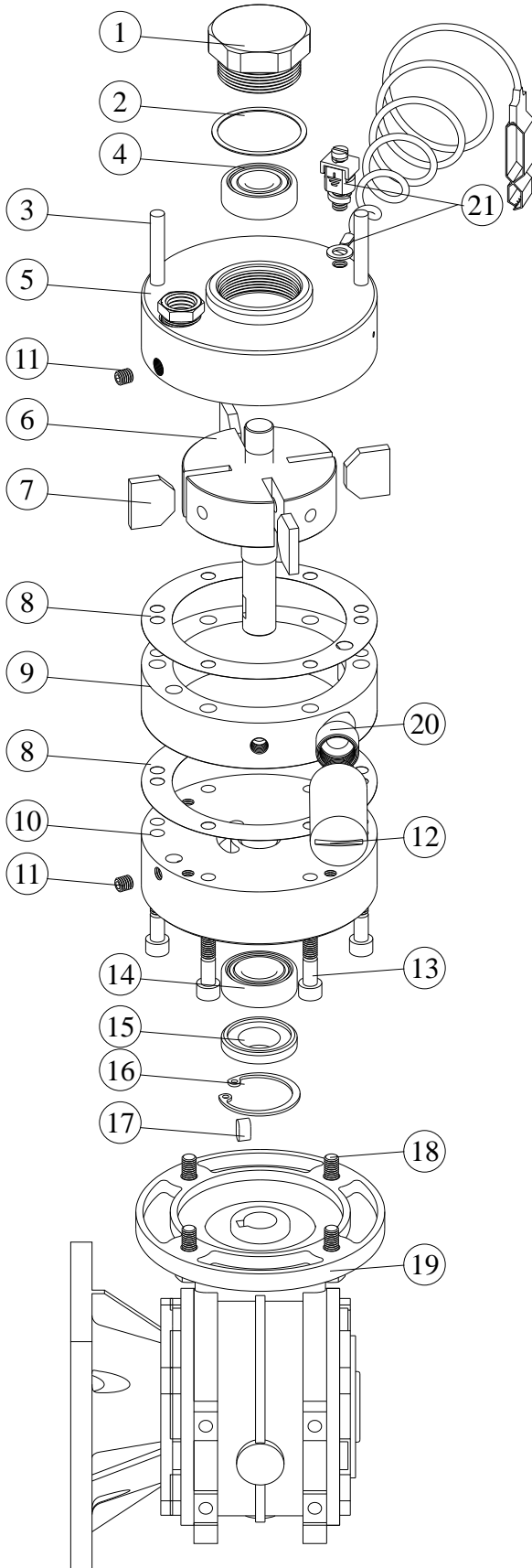


7.110.00



| Nº | REF. | DESCRIPCION | C |
|----|----------|---------------|---|
| 1 | 7.100.07 | TAPON | 1 |
| 2 | 7.100.08 | JUNTA | 1 |
| 3 | CPA.220 | PASADOR | 2 |
| 4 | CB1.015 | RODAMIENTO | 1 |
| 5 | 7.100.02 | TAPA | 1 |
| 6 | 7.110.02 | EJE | 1 |
| 7 | 7.100.05 | PALETA | 4 |
| 8 | 7.100.06 | JUNTA | 2 |
| 9 | 7.100.01 | CUERPO | 1 |
| 10 | 9.110.01 | TAPA | 1 |
| 11 | CTF.007 | PRISIONERO | 2 |
| 12 | CG.1013 | SILENCIADOR | 1 |
| 13 | CTB.007 | TORNILLO | 6 |
| 14 | CB1.016 | RODAMIENTO | 1 |
| 15 | 7.110.03 | RETEN | 1 |
| 16 | CAR.123 | ANILLO SEEGER | 1 |
| 17 | CPA.502 | CHAVETA | 1 |
| 18 | CTB.005 | TORNILLO | 4 |
| 19 | 7.600.00 | REDUCTORA | 1 |
| 20 | 7.100.10 | RACOR | 1 |
| 21 | TIE.PQ | TIERRA | 1 |