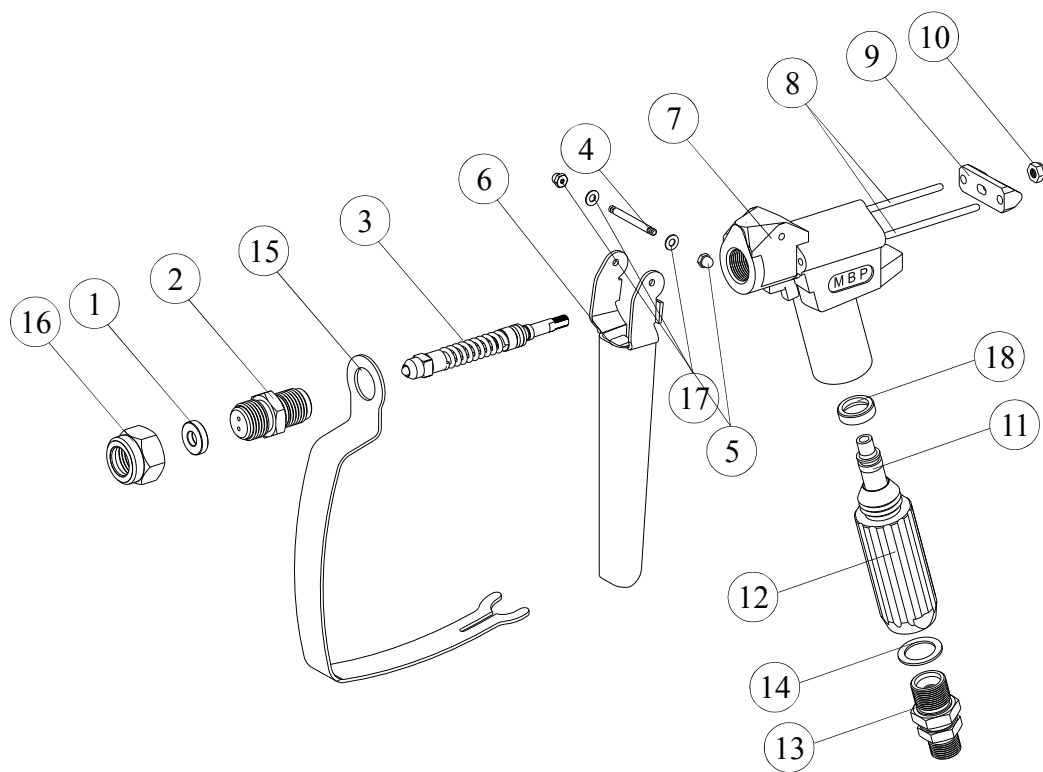


## TECHNICAL DATA

- Needle in Tungsten Carbide.
- Needle seat in Tungsten Carbide.
- J.200 Max. fluid Pressure: 250 bar.
- Trigger lock.
- Trigger guard.
- Swivel.
- Weight: 0,530 kgs.
- Packing dimensions:235 x 175 x 47 mm.



### J.200

Nº	REF.	DESCRIPTION
1	J.200.10	JOINT
2	J.210.00	NEEDLE SEAT
3	J.220.00	NEEDLE COMPLETE
4	J.501.500.15	TRIGGER PIN
5	C.TU0.11	NUT
6	J.230.00	TRIGGER
7	J.200.01	GUN BODY
8	J.200.05	FIN
9	J.250.00	CAP
10	C.TU1.03	NUT
11	J.260.01	FILTER
12	J.200.03	HANDLE
13	J.240.00	RACORD
14	J.200.04	JOINT
15	J.200.02	GUARD
16	J.200.09	NUT
17	J.200.07	WASHER
18	J.200.08	SEAT

